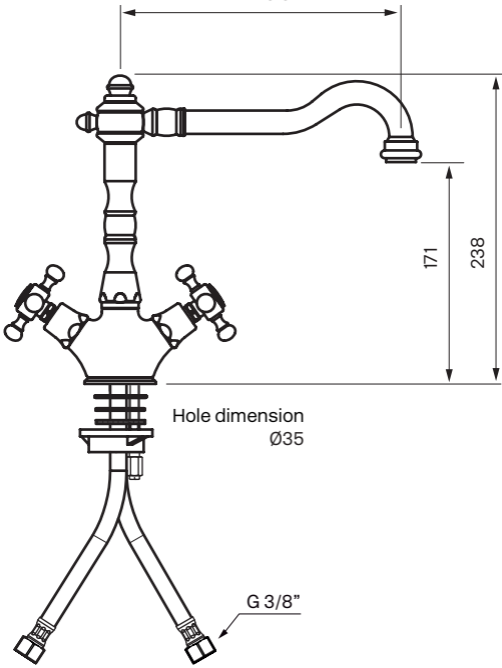


216.5



Hole dimension
Ø35

171

238

G 3/8"